



## Features

### Frame Offering

- < Dedicated outerframe height of 46mm
- < Sash heights of 95mm
- < Aluminium low threshold cill height of 27 mm
- < Dedicated midrail accepts letterboxes
- < All sections available featured and bevelled.

### Weatherseals

- < Range of fin-woolpile seal and Q-Lon gasket to all glazing beads.

### Reinforcing

- < Range of aluminium and galvanised steel reinforcements.

### Finishes

- < Standard white and brilliant white
- < Range of solid colour and woodgrain foils.

### Glazing

- < 28mm double glazed units
- < Astrical, Georgian bars in 20mm and 28mm widths.

### Ancillaries

- < Comprehensive range of add-ons, couplers, corner posts, bay poles available to suit any installation.

### Hardware

- < Full depth eurogroove in sash.

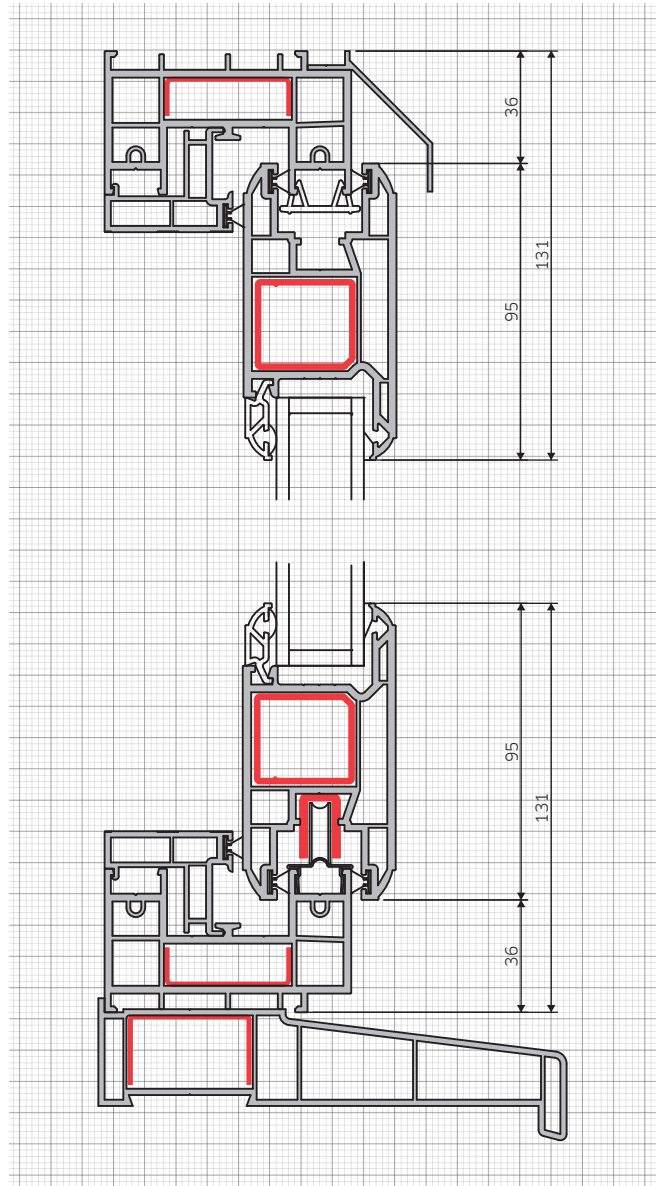
### Ventilation

- < Proprietary ventilation devices can be used on all designs
- < A range of head details available including large outerframe, head extension and dedicated one piece head vent (see cavity closer for further details).

## Test Results

Frame Type	Size	Air Permeability	Water Tightness	Wind Resistance	Standard	Accreditation Body
2 Pane external slider	2400 x 2100	600Pa	200Pa	900Pa	BS6375-1:2004	BBA
2 Pane internal slider	2400 x 2100	300Pa	150Pa	900Pa	BS6375-1:2004	BBA

# Patio Door



## Performance

### Security

- < 8 point locking system with full length one piece long.

### Thermal/Acoustic

- < A number of simulations have been carried out by 'approved' simulators at Duraflex providing a range of DER's for Doors following the introduction of doors to the Energy scheme in December 2011
- < 'U' value simulations have been carried out to ensure the latest Building Regulations are met. Further detailed simulations are being carried out and added to our already comprehensive portfolio.

## General Features

- < **Lead Free** - environmentally friendly, calcium organic lead free formulation
- < **Finishes** - comprehensive range of natural wood and solid colour foils
- < **Structural** - comprehensive range of coupling sections to suit various applications.